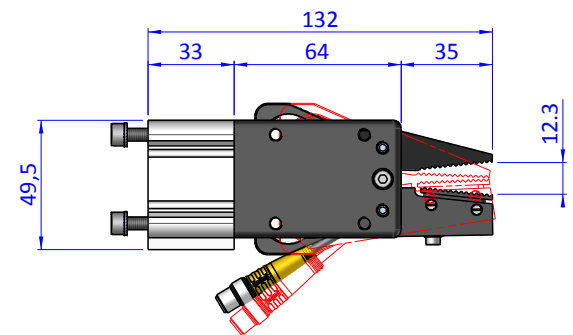
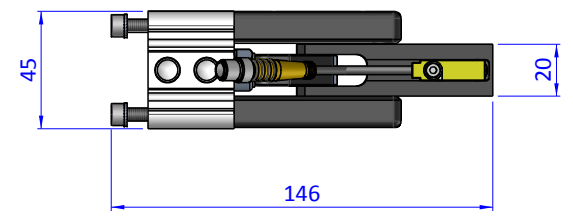
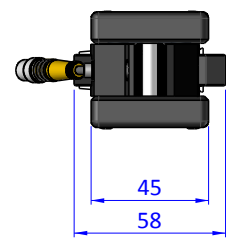
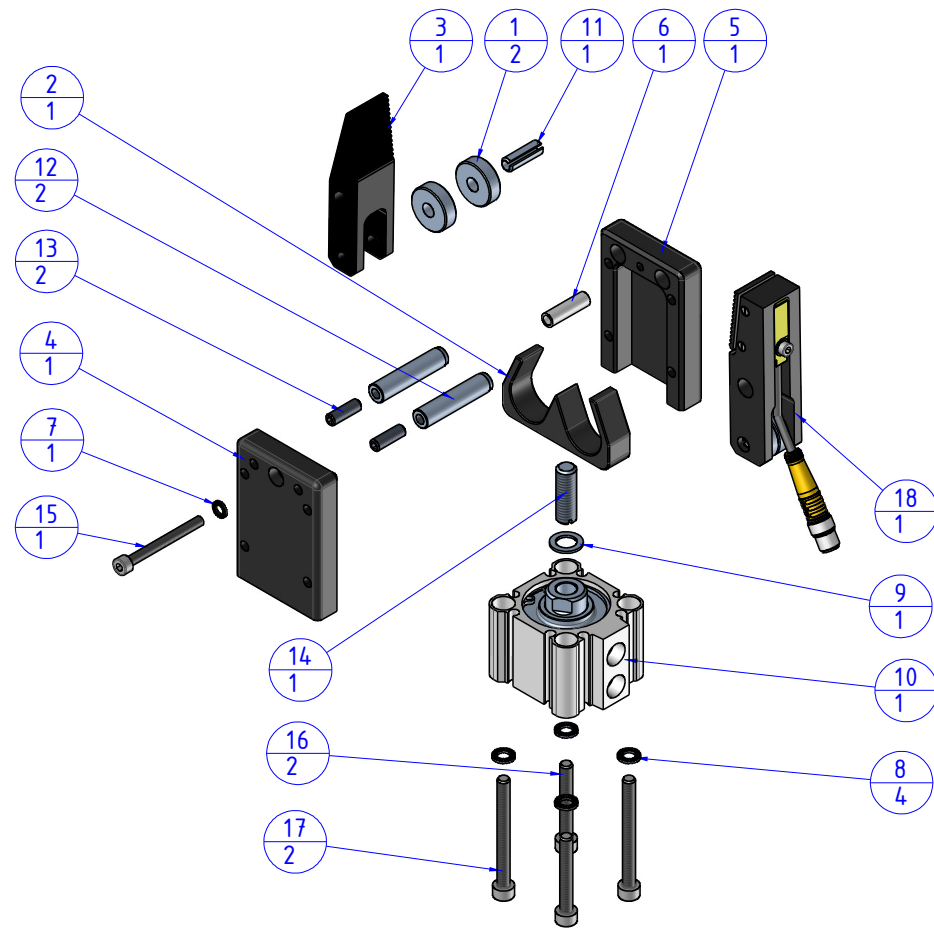



THE PROPERTY OF THE DRAWING IS ESTABLISHED BY LAW. IT IS FORBIDDEN TO PRODUCE OR SHOW IT TO THIRD PART, WITHOUT A WRITTEN AGREEMENT.

Item	Name	Q.ty
1	CUS.626Z	2
2	GZ.3225.01	1
3	GZ.3225.02	1
4	GZ.3225.03	1
5	GZ.3225.04	1
6	GZ.3225.05	1
7	R.4.SCH	1
8	R.5.SCH	4
9	R.8.SCH	1
10	SMC.CQ2B32TF-10DZ	1
11	SPE.6X18	1
12	SPFF.8X36	2
13	V.STM5x15	2
14	V.STM8X25	1
15	V.TCE4x40	1
16	V.TCE5x35	2
17	V.TCE5x50	2
18	CA.GZ.32.FING.S	1



Format A3  
UNI 936-76

 <b>FPS</b> FPSERVICES AUTOMATION		DESIGNED FROM		REVIEW
		FPS Automation		A
GENERAL TOLERANCE		DATE		WEIGHT
UNI - ISO 2768		31/05/2019		0.269kg
CLASSE f		CODE		
		CA.GZ.32		CA.GZ.32.S